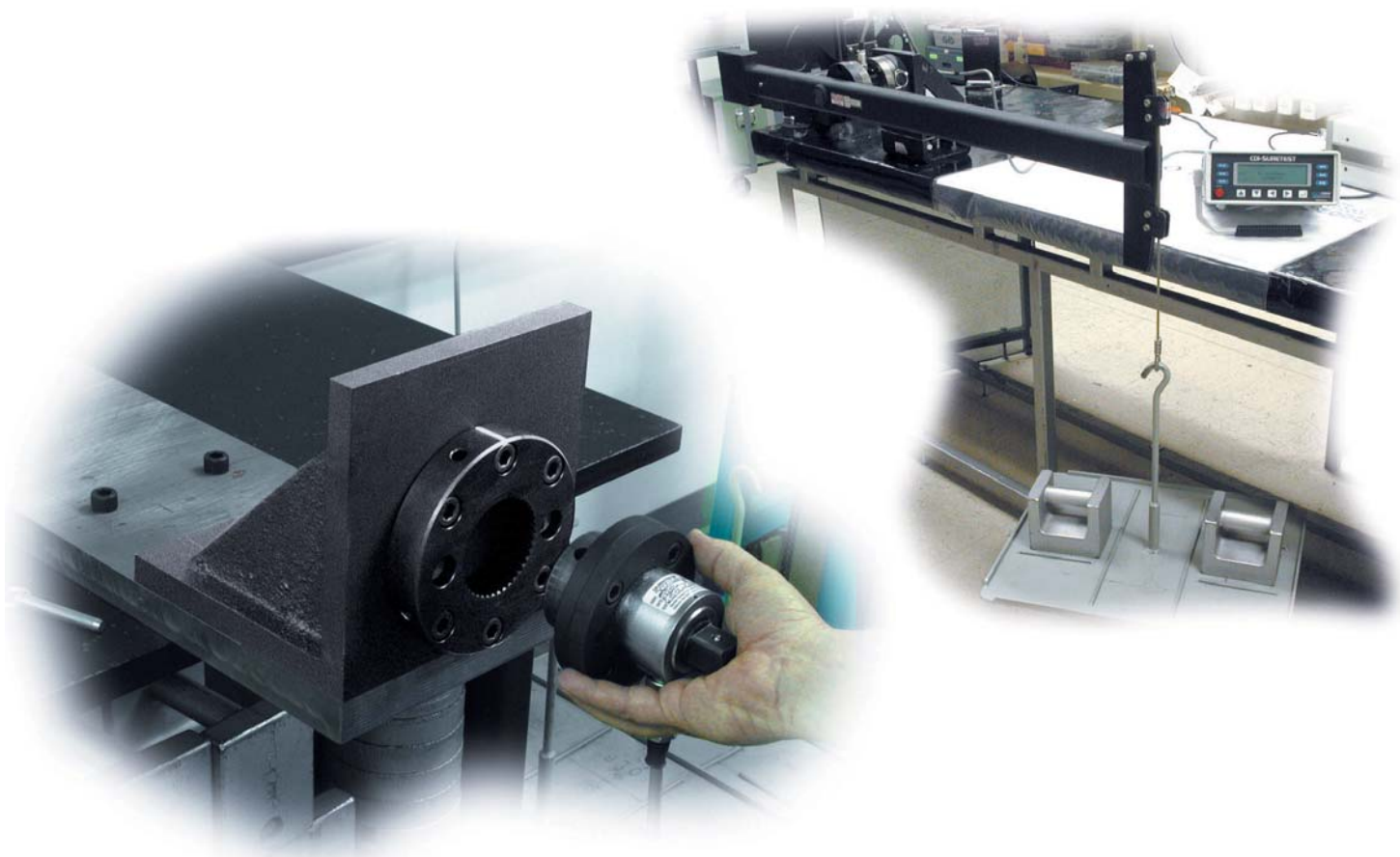




CALIBRATION EQUIPMENT

CALIBRATION EQUIPMENT

CDI's calibration equipment is expressly designed to calibrate the complete line of CDI Torque Transducers. All weight trays, arms and brackets supplied by CDI Torque Products are built with precision accuracy to meet the demanding needs of the calibration professional. All calibration wheels and arms are certified as to length, and supplied with a certificate of accuracy, which is traceable to N.I.S.T. (National Institute of Standards and Technology). Weights, trays and hangers are weight certified and are also supplied with a certificate of accuracy traceable to N.I.S.T. Mating adapters are available to facilitate the use of the various components. Written procedures are available upon request for calibrating any of CDI's manufactured torque products.



CALIBRATION EQUIPMENT

Part No.	Description
390-2-2	4 oz. Weight Hanger
2000-301	8 oz. Weight Hanger
2000-304-0	7.5 lb. Weight Hanger
2000-302-0	15 lb. Weight Hanger
2000-303-0	50 lb. Weight Hanger



Weight Sets Itemized

Qty / Part No.	Description
2000-320-0 Weight Set #1 (not shown)	
8 2000-300-8	50 lb. Block Weight
5 2000-300-7	20 lb. Block Weight
4 2000-300-6	10 lb. Block Weight
6 2000-300-5	5 lb. Slotted Weight
4 2000-300-4	2 lb. Slotted Weight
2 2000-300-3	1 lb. Slotted Weight
1 2000-300-2	1/2 lb. Slotted Weight
1 2000-310-3	4 oz. Slotted Weight
1 2000-310-2	2 oz. Slotted Weight
<i>(For All Transducers)</i>	

2000-321-0 Weight Set #2 (not shown)	
4 2000-300-8	50 lb. Block Weight
4 2000-300-7	20 lb. Block Weight
4 2000-300-6	10 lb. Block Weight
6 2000-300-5	5 lb. Slotted Weight
4 2000-300-4	2 lb. Slotted Weight
2 2000-300-3	1 lb. Slotted Weight
1 2000-300-2	1/2 lb. Slotted Weight
1 2000-310-3	4 oz. Slotted Weight
1 2000-310-2	2 oz. Slotted Weight
<i>(For 200 in. oz. to 600 ft. lbs.)</i>	

2000-322-0 Weight Set #3 (not shown)	
8 2000-300-8	50 lb. Block Weight
5 2000-300-7	20 lb. Block Weight
4 2000-300-6	10 lb. Block Weight
2 2000-300-5	5 lb. Slotted Weight
1 2000-300-4	2 lb. Slotted Weight
1 2000-300-3	1 lb. Slotted Weight
<i>(For 600 ft. lbs. to 2000 ft. lbs.)</i>	

Note: Weights not sold separately

Part No.	Description
2000-250-02	Calibration Stand Kit



Transducer mounting adapters included with stand.



CALIBRATION EQUIPMENT



Part No.	Description
2000-152-3	1/2" x 3/8" Sq. Drive Reducer



Part No.	Description
2000-226-3	3/4" x 1/2" Sq. Drive Reducer



Part No.	Description
2000-226-2	1" x 3/4" Sq. Drive Reducer



Part No.	Description
2000-154-8	1 1/4" x 3/4" Sq. Drive Reducer <i>(for 600 ft. lbs. transducer)</i>



Part No.	Description
S/2000-221-0	1 1/4" Flange Adapter



Part No.	Description
2500-50-0	2-1/2" Calibration Wheel, 1/4" Dr.



Part No.	Description
2000-151-0	5" Calibration Wheel, 1/4" Dr.



Part No.	Description
2000-152-0	10" Butterfly Wheel, 1/2" Dr.



Part No.	Description
2000-154-0	40" Calibration Arm, 1-1/4" Dr.



CALIBRATION EQUIPMENT



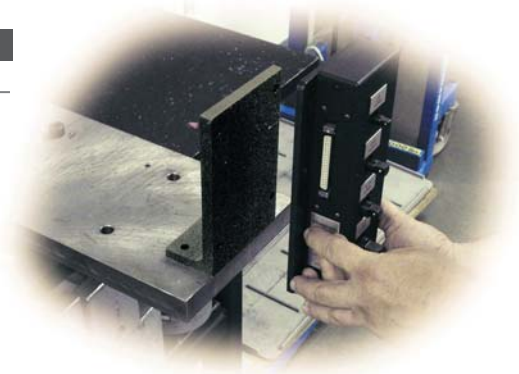
Part No.	Description
342-35	Transducer Bracket, 5-1000 in. lbs.



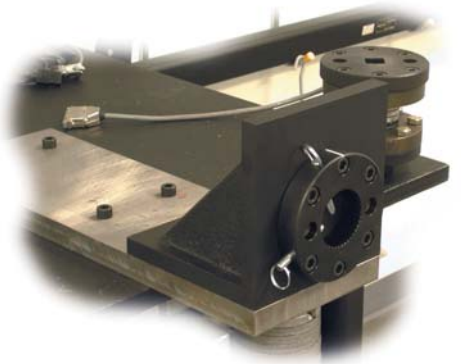
Part No.	Description
342-36	Transducer Bracket, 125-600 ft. lbs.



Part No.	Description
343-25	Transducer Bracket, 4 in 1 / ETT



Part No.	Description
2000-150-03	Transducer Bracket, 1000-2000 ft. lbs.



MASTER TRANSDUCER COMPONENT LIST

Figure 1

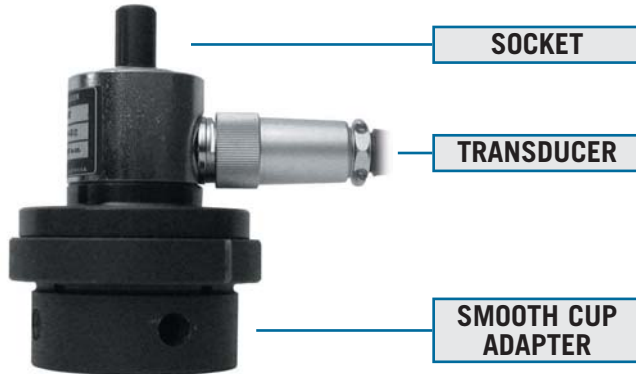


Figure 2

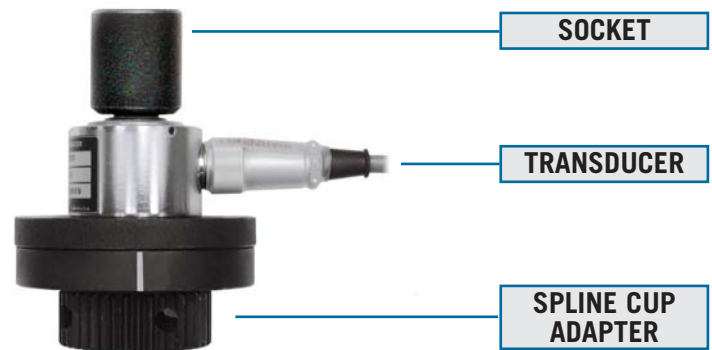
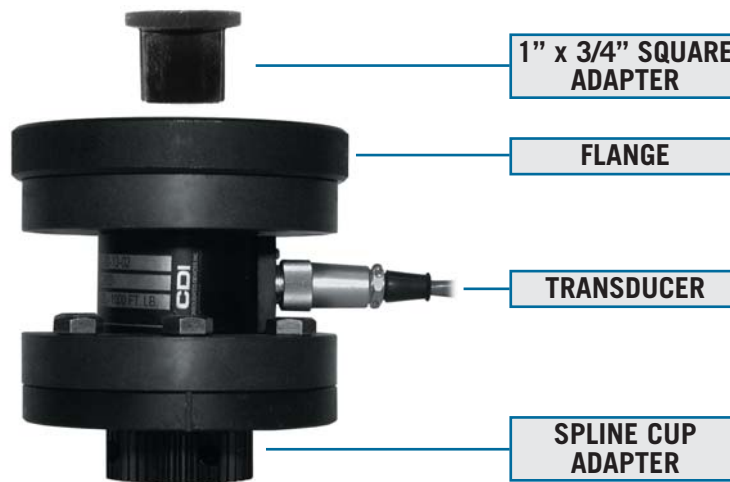


Figure 3



Transducer Kits include all items listed below except brackets.
Brackets sold separately.

Transducer Kit Part Number	Range	Drive	Fig. No.	Transducer	Socket	Cup Adapter	Flange	Sq. Drive Adapter	Bracket
2000-4-02	5-50 in. ozs.	1/4"	1	342-17-01	342-40	2000-225-5	none	none	342-35
2000-5-02	15-200 in. ozs.	1/4"	1	342-2-01	342-40	2000-225-5	none	none	342-35
2000-6-02	4-50 in. lbs.	1/4"	1	342-4-01	342-40	2000-225-5	none	none	342-35
2000-65-02	15-150 in. lbs.	1/4"	1	S/342-5-0	342-40	2000-225-5	none	none	342-35
2000-7-02	30-400 in. lbs.	3/8"	1	342-7-0	342-41-2	2000-225-5	none	none	342-35
2000-8-02	80-1000 in. lbs.	3/8"	1	342-9-0	342-41-2	2000-225-5	none	none	342-35
2000-10-02	10-125 ft. lbs.	1/2"	1	342-10-0	65-26-3	2000-225-4	none	none	342-36
2000-11-02	20-250 ft. lbs.	1/2"	1	342-11-0	65-26-3	2000-225-4	none	none	342-36
2000-12-02	60-600 ft. lbs.	3/4"	2	342-12-0	65-78-2	S/2000-225-4	none	none	342-36
2000-13-02	100-1000 ft. lbs.	1"	3	S/2000-13-0	none	S/2000-225-3	S/2000-219-2	2000-226-2	2000-150-03
2000-14-02	200-2000 ft. lbs.	1"	3	S/2000-14-0	none	S/2000-227-2	S/2000-219-2	2000-226-2	2000-150-03